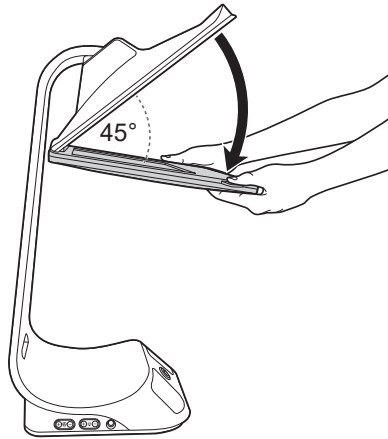


Quick Start Guide



1. SETTING UP THE PRODUCT



1. Place the product on a flat, stable, and level surface.
2. Connect the DC plug of the adapter to the **DC IN** port.
3. Connect the plug of the adapter to a suitable socket.
4. Open the screen by pushing it down using the side tabs, away from the mirror.
5. Adjust to the screen as required. The maximum opening angle is 45°.

2. SWITCHING THE PRODUCT ON/OFF

1. Press and hold the button for 5 seconds to switch the product on. The indicator lights up and the desk light switches on.
2. Press the button to switch the product off. The indicator and the desk light both switch off.

3. CONNECTING A COMPUTER

3.1 INSTALLING THE DRIVER

3.1.1 FOR WINDOWS® OS

Install DisplayLink® software at:
<https://www.synaptics.com/products/displaylink-graphics/downloads/windows>



3.1.2 FOR MAC® OS

Install DisplayLink® software at:
<https://www.synaptics.com/products/displaylink-graphics/downloads/macOS>



3.2 CONNECTING THE PRODUCT

1. Connect the USB-C cable to the **AV IN** port.
2. Connect the other end of the USB-C cable to the computer.

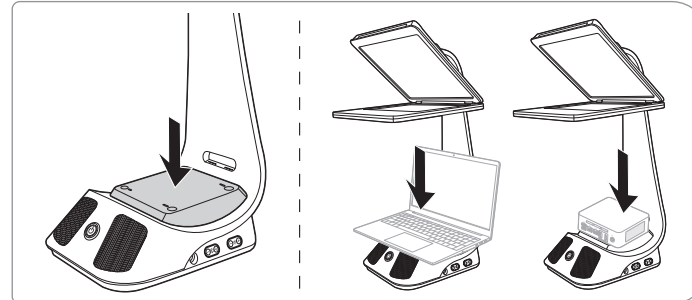
4. LIGHTS

1. To change the light source or switch the light(s) off, swipe your hand under the light sensor. The light sequence is as follows:



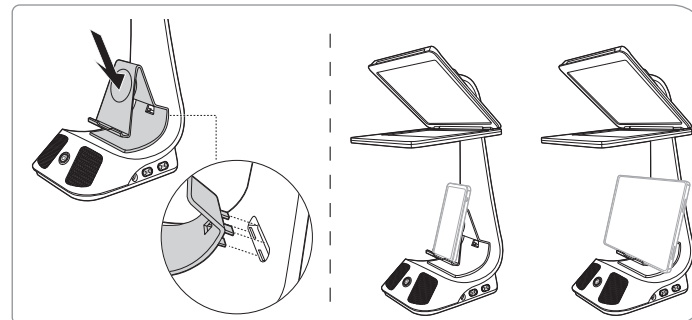
5. USING THE ACCESSORIES

5.1 LAPTOP/MINI PC BASE



1. Place the laptop/mini PC base on the curved part of the main unit. This provides a flat surface to place the laptop/mini PC.
2. Place the laptop/mini PC on top of the base.

5.2 WIRELESS CHARGING BASE



1. Attach the wireless charging base to the curved part of the main unit.
2. To use the wireless charging function, connect the USB-C cable to the **DC OUT** port.

3. Connect the other end of the USB-C cable to the port on the wireless charging base.
4. Place a phone/tablet, with wireless charging capabilities, on the wireless charging base. The phone/tablet begins to charge. A blue indicator on the side of the wireless charging base lights up to indicate charging.
5. The wireless charging base can also be used to support a(n) LCD/touch screen display attached to a mini PC.

6. PRODUCT DESCRIPTION

	Use the + and - button to adjust the volume.	
	Use the + and - button to adjust the brightness of the screen.	
	Use the + and - button to adjust the color temperature of the top light.	
	Use the + and - button to adjust the brightness of the desk light or the top light, depending on which of the lights is currently being used.	
12V 6A DC IN	Use this port to connect the provided adapter to the product.	 12V 6A DC IN
AV IN	Use this port to connect an external device (e.g. PC/tablet/laptop) to the product using the included USB-C cable.	 AV IN
HDMI IN	Use this port to connect an external device to the product using a cable with a HDMI plug.	 HDMI IN
USB IN	Use this port to connect an external device to the product with a USB-A plug.	 USB IN
5V 2A DC OUT	Use this port to directly connect an external device for charging using a cable with a USB-C plug. Alternatively, use a cable with two USB-C plugs to connect the wireless charging base.	 5V 2A DC OUT



Scan the QR code for the official myivi website and for the full instruction manual.